

STOPFIRE RESIDENTIAL BS 9251:2021 COMPLIANT

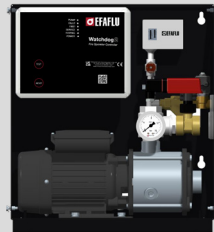
INTELLIGENT BY DESIGN, RELIABLE IN PROTECTION, SECURING PEOPLE, BUILDINGS AND BUSINESS



WHAT SUITS YOUR NEEDS?

Supplied fully pre-assembled, wired and tested pump set, mounted on a mild steel skid plate.

Representative Image



Application	Domestic (Cat-1)	Residential (Cat 2-4)	Residential (Cat 2-4)
Duty flow range	30/130 l/min	30-400 l/min	150-750 l/min
Pressure	1-5 bar	1-8 bar	1-20 bar
Integrated Automatic weekly test	Yes	Yes	Yes
Compliance	BS 9251:2021	BS 9251:2021	BS 9251:2021

Options

- Connection direct to mains water supply (subject to local water authority approval)

- Soft start of VFD for 7.5 kW+
- Single packaged skid for Cat 4 duty/ standby systems

- Handed version available at no extra cost or lead time
- Soft start of VFD for 7.5 kW+
- Single packaged skid for Cat 4 duty/standby systems

Main advantages

- Available in two configurations: horizontal and vertical
- Pump system fully pre-assembled on a robust skid
- Compact design, available in a wide range of flows and pressures
- Plug-and-play unit – no extensive wiring required
- Pre-wired and pre-piped system, ready for installation
- Ball valve fitted on the discharge, eliminating the need for additional accessories
- Fully factory-tested and supplied ready for operation

Control and Safety

- Volt-free contacts for fire alarm and fault signalling
- LPCB-approved flow switch for pump start and alarm activation
- Dual pressure switch for enhanced reliability
- Control panel with pump running and power failure indication
- Test and drain point with manual test button

Residential



Easy to install



Fiability

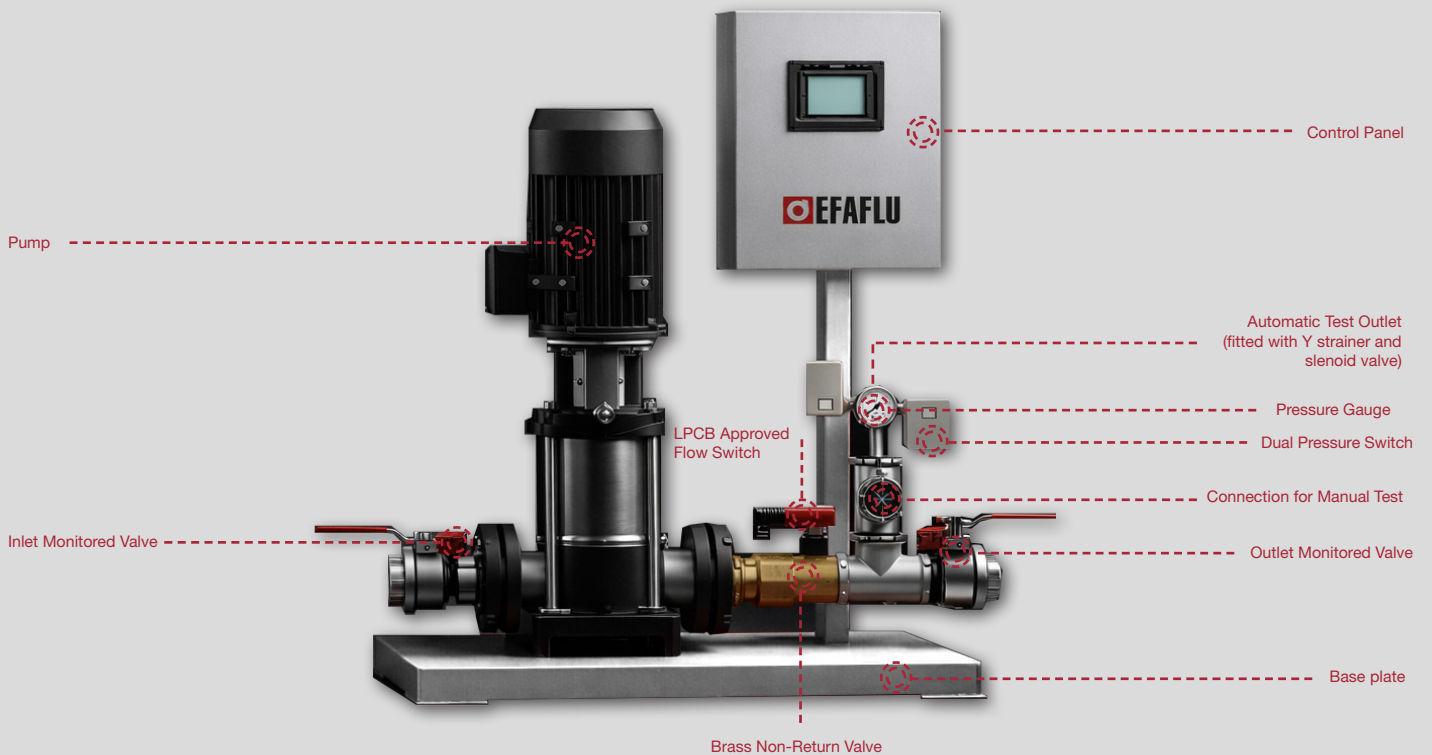
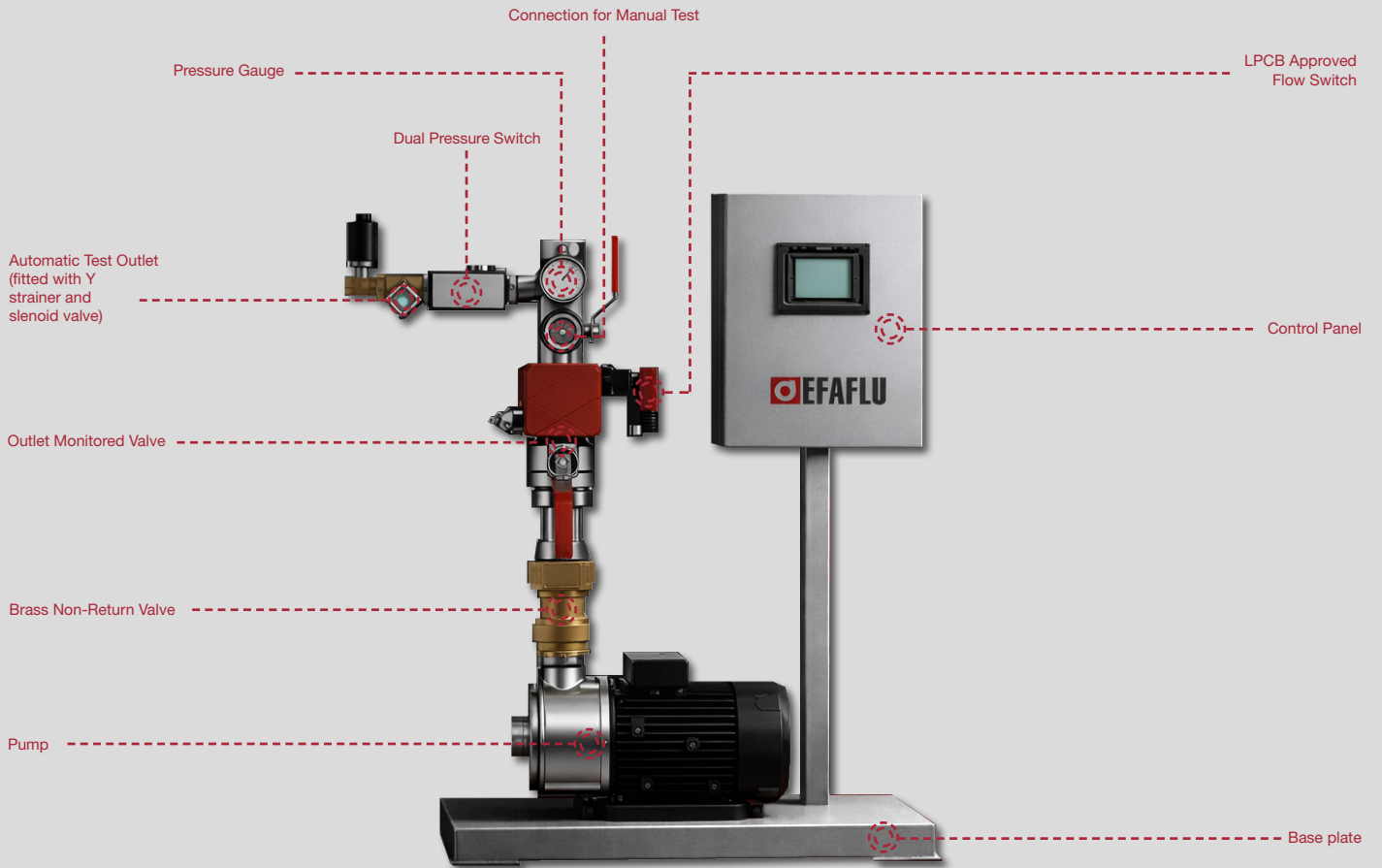


Safety



Durability





Range performance

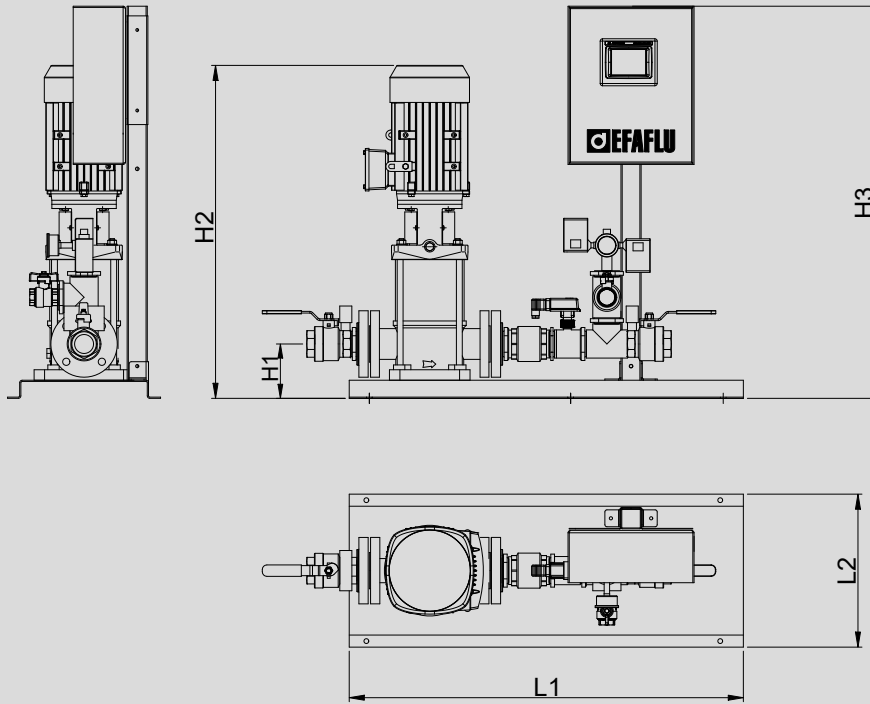
Flow Range	30-750 l/min
Pressure Range	1-20 bar
Max System Pressure	10 to 25 bar
Starting Type	DOL or SD
Category Applications	2 to 4

Material Specification

Manifold	AISI 304
Union	Brass
Non-return Valve	Brass or AISI 304
Pump Casing	Cast Iron or AISI 304
Pump Impellers	AISI 304
Base Plate/ Enclosure	AISI 304

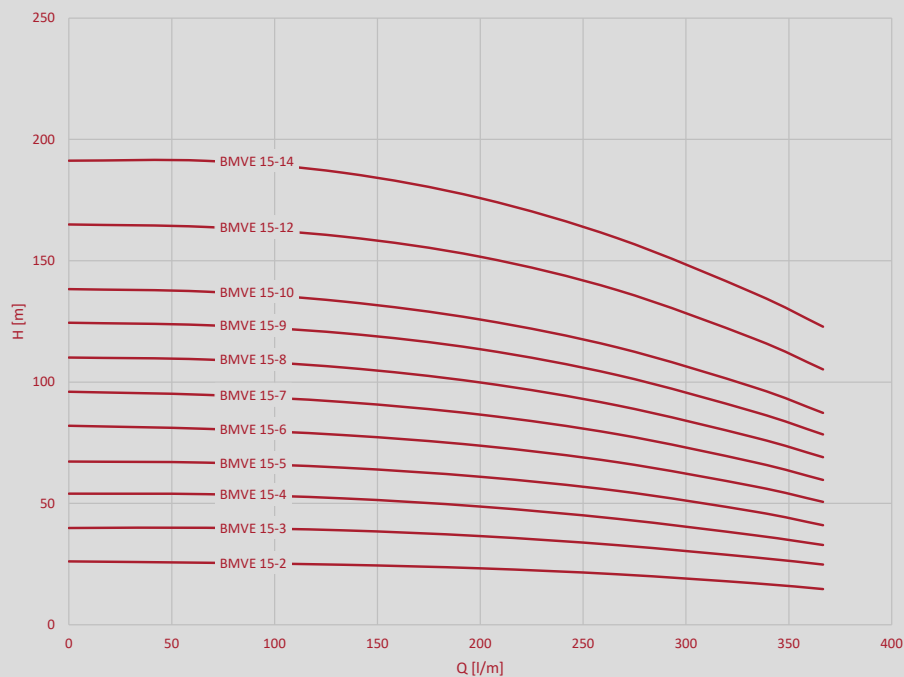
Starting type options

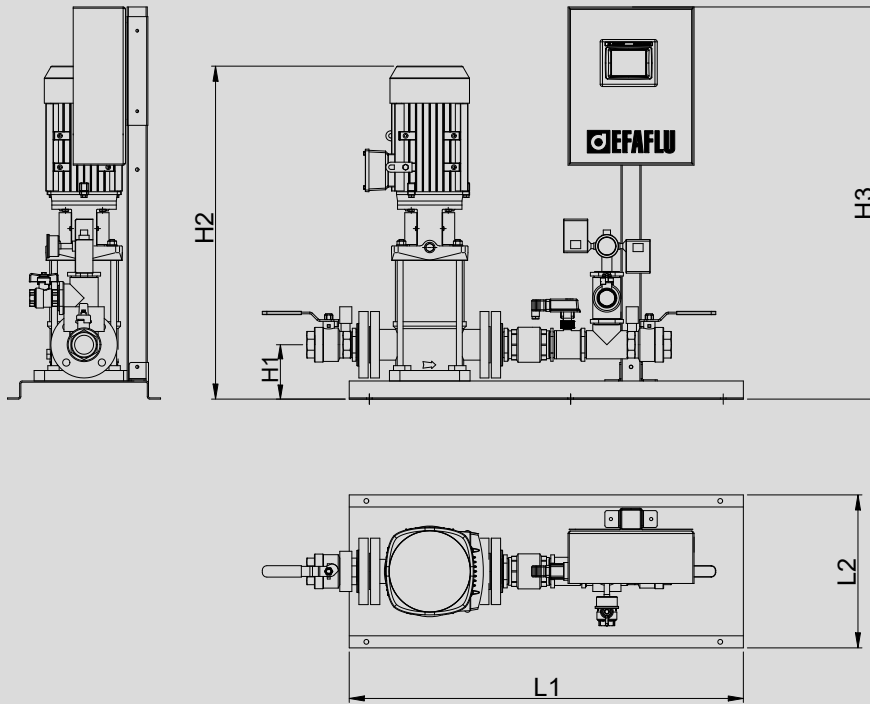
KW Range	Standard Starting Type	Optional Starting Type
Up to 4 kW	Direct on Line	-
5 kW	Direct on Line	Soft Start
7.5 kW to 30 kW	Start-Delta (SD)	VFD



MODEL	POWER (KW)	SUPPLY VOLTAGE	DIMENSIONS (mm)					SUCTION / DISCHARGE	WEIGHT (KG)
			L1	L2	H1	H2	H3		
BMVE (T/Ti) 15-2	2,2	400/3/50	1067	430	170	687	857	2"	62
BMVE (T/Ti) 15-3	3,0	400/3/50	1067	430	170	797	844	2"	65
BMVE (T/Ti) 15-4	4,0	400/3/50	1067	430	170	852	856	2"	81
BMVE (T/Ti) 15-5	4,0	400/3/50	1067	430	170	897	857	2"	86
BMVE (T/Ti) 15-6	5,5	400/3/50	1067	430	170	997	857	2"	115
BMVE (T/Ti) 15-7	5,5	400/3/50	1067	430	170	1042	857	2"	116
BMVE (T/Ti) 15-8	7,5	400/3/50	1199	480	170	1087	1068	2"	142
BMVE (T/Ti) 15-9	7,5	400/3/50	1199	480	170	1132	1068	2"	144
BMVE (T/Ti) 15-10	11,0	400/3/50	1199	480	170	1375	1068	2"	173
BMVE (T/Ti) 15-12	11,0	400/3/50	1281	480	170	1465	1068	2"	176
BMVE (T/Ti) 15-14	11,0	400/3/50	1281	480	170	1555	1068	2"	177

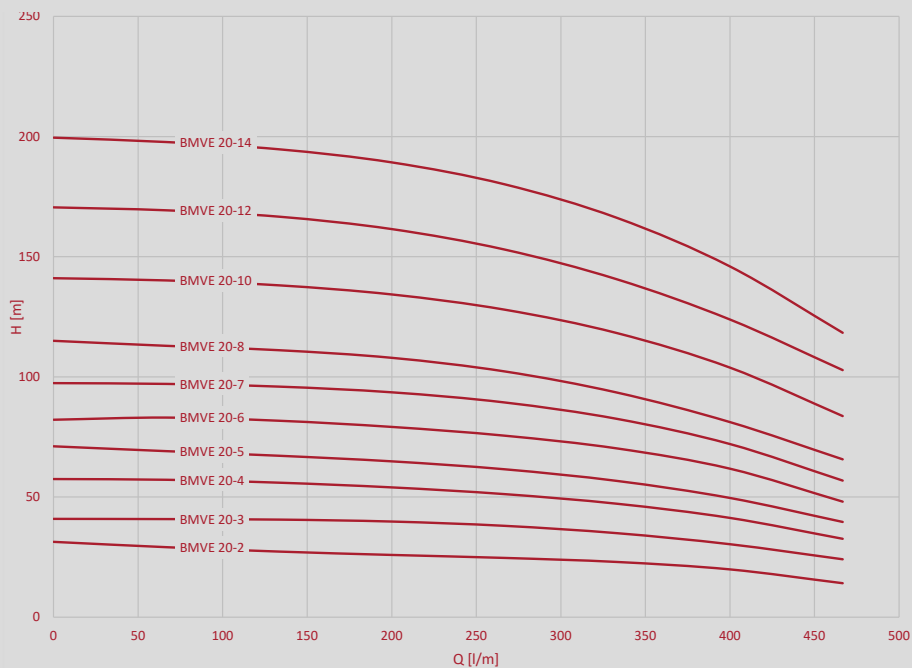
BMVE 15

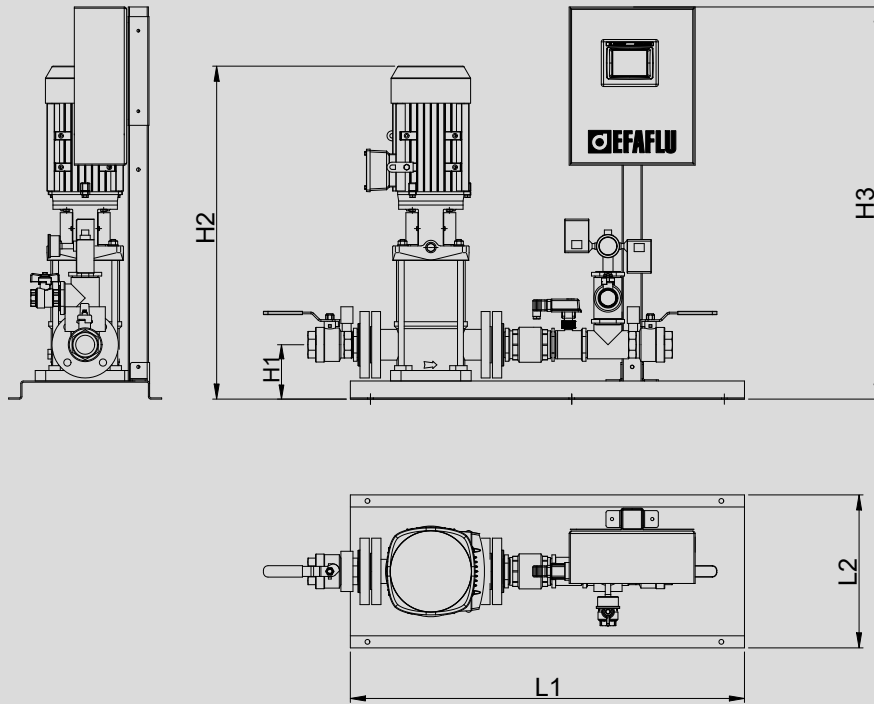




MODEL	POWER (KW)	SUPPLY VOLTAGE	DIMENSIONS (mm)					SUCTION / DISCHARGE	WEIGHT (KG)
			L1	L2	H1	H2	H3		
BMVE (T/Ti) 20-2	2,2	400/3/50	1066	480	170	687	857	2"	63
BMVE (T/Ti) 20-3	4,0	400/3/50	1066	480	170	807	857	2"	80
BMVE (T/Ti) 20-4	5,5	400/3/50	1066	480	170	907	857	2"	84
BMVE (T/Ti) 20-5	5,5	400/3/50	1066	480	170	952	857	2"	113
BMVE (T/Ti) 20-6	7,5	400/3/50	1199	480	170	997	1068	2"	140
BMVE (T/Ti) 20-7	7,5	400/3/50	1199	480	170	1042	1068	2"	141
BMVE (T/Ti) 20-8	11,0	400/3/50	1199	480	170	1285	1068	2"	171
BMVE (T/Ti) 20-10	11,0	400/3/50	1199	480	170	1375	1068	2"	172
BMVE (T/Ti) 20-12	15,0	400/3/50	1369	480	170	1465	1068	2"	174
BMVE (T/Ti) 20-14	15,0	400/3/50	1468	480	170	1555	1068	2"	186

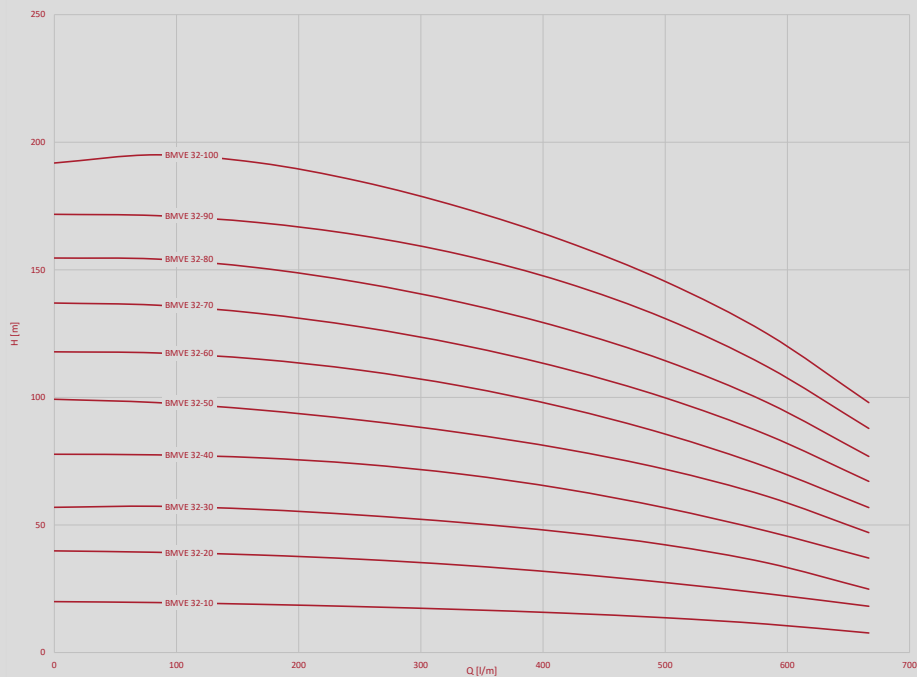
BMVE 20

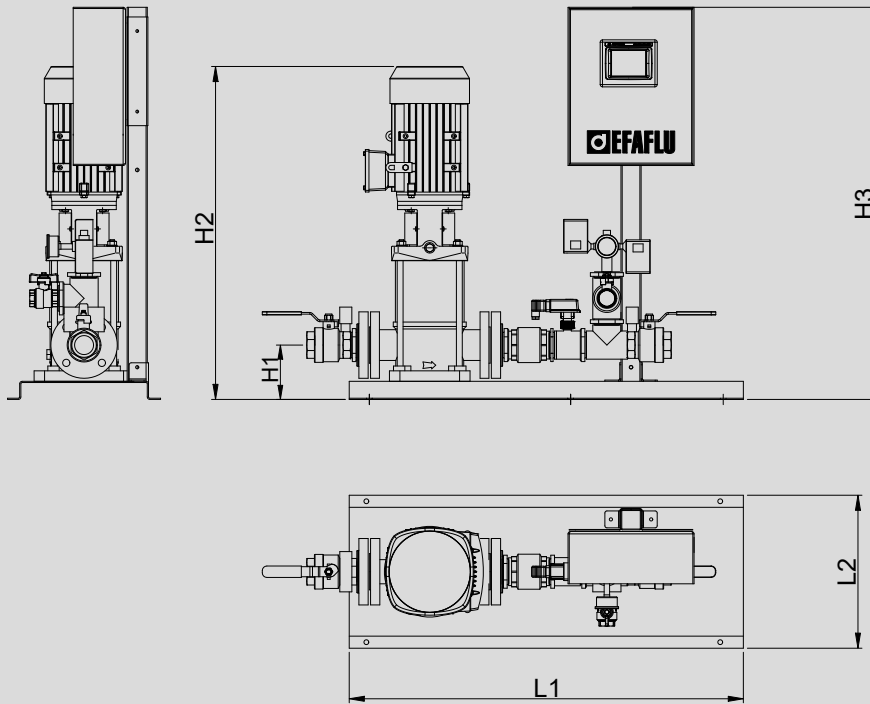




MODEL	POWER (KW)	SUPPLY VOLTAGE	DIMENSIONS (mm)					SUCTION / DISCHARGE	WEIGHT (KG)
			L1	L2	H1	H2	H3		
BMVE (T/Ti) 32-10	2,2	400/3/50	1513	480	185	795	1068	2 1/2"	116
BMVE (T/Ti) 32-20	4,0	400/3/50	1513	480	185	920	1068	2 1/2"	148
BMVE (T/Ti) 32-30	5,5	400/3/50	1513	580	185	1035	1068	2 1/2"	168
BMVE (T/Ti) 32-40	7,5	400/3/50	1513	580	185	1105	1068	2 1/2"	179
BMVE (T/Ti) 32-50	11,0	400/3/50	1513	580	185	1390	1068	2 1/2"	211
BMVE (T/Ti) 32-60	11,0	400/3/50	1513	580	185	1460	1068	2 1/2"	219
BMVE (T/Ti) 32-70	15,0	400/3/50	1513	580	185	1530	1068	2 1/2"	225
BMVE (T/Ti) 32-80	15,0	400/3/50	1513	580	185	1600	1068	2 1/2"	229
BMVE (T/Ti) 32-90	18,5	400/3/50	1513	580	185	1720	1068	2 1/2"	271
BMVE (T/Ti) 32-100	18,5	400/3/50	1513	580	185	1790	1068	2 1/2"	275

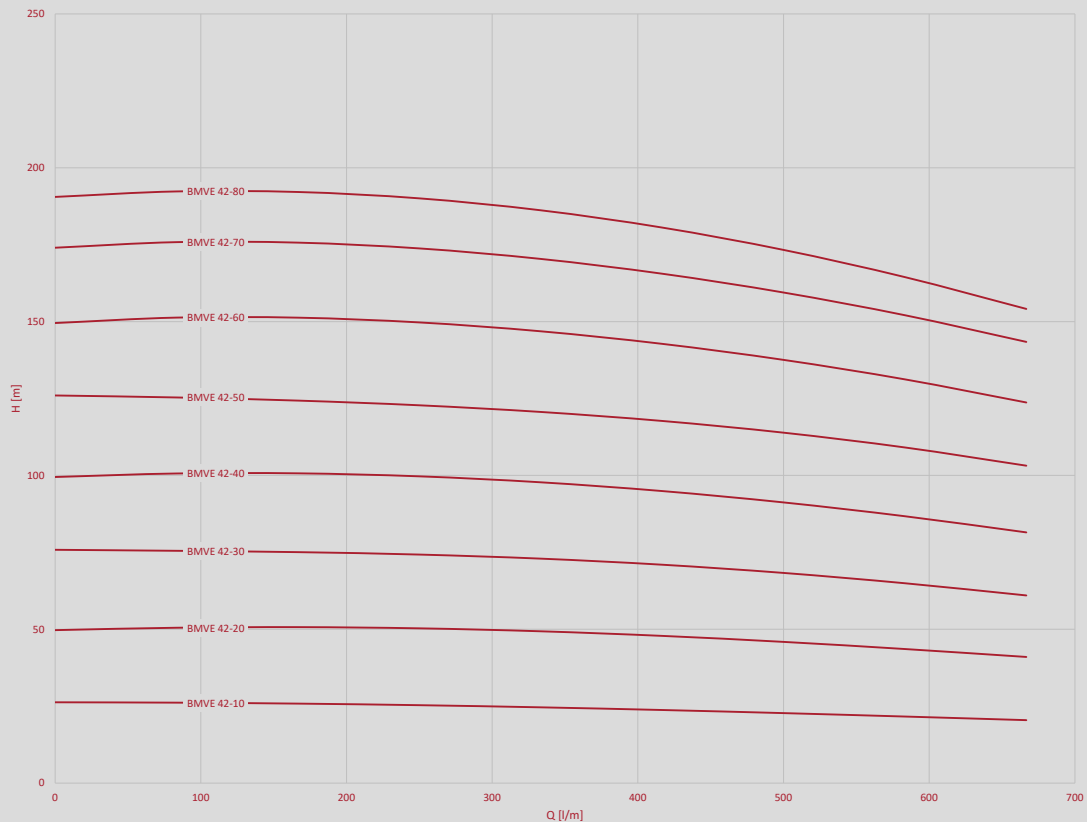
BMVE 32

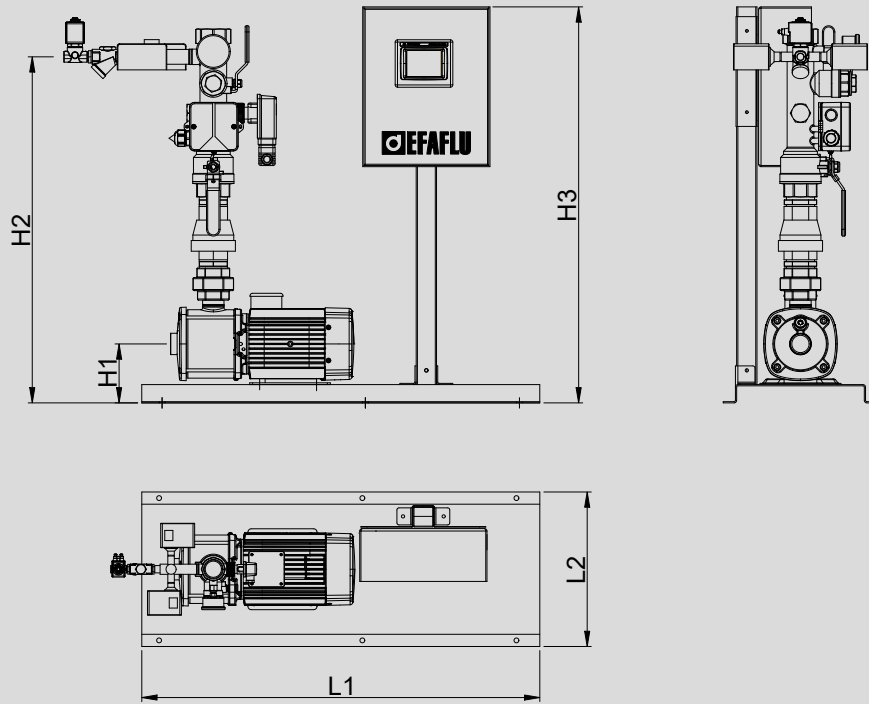




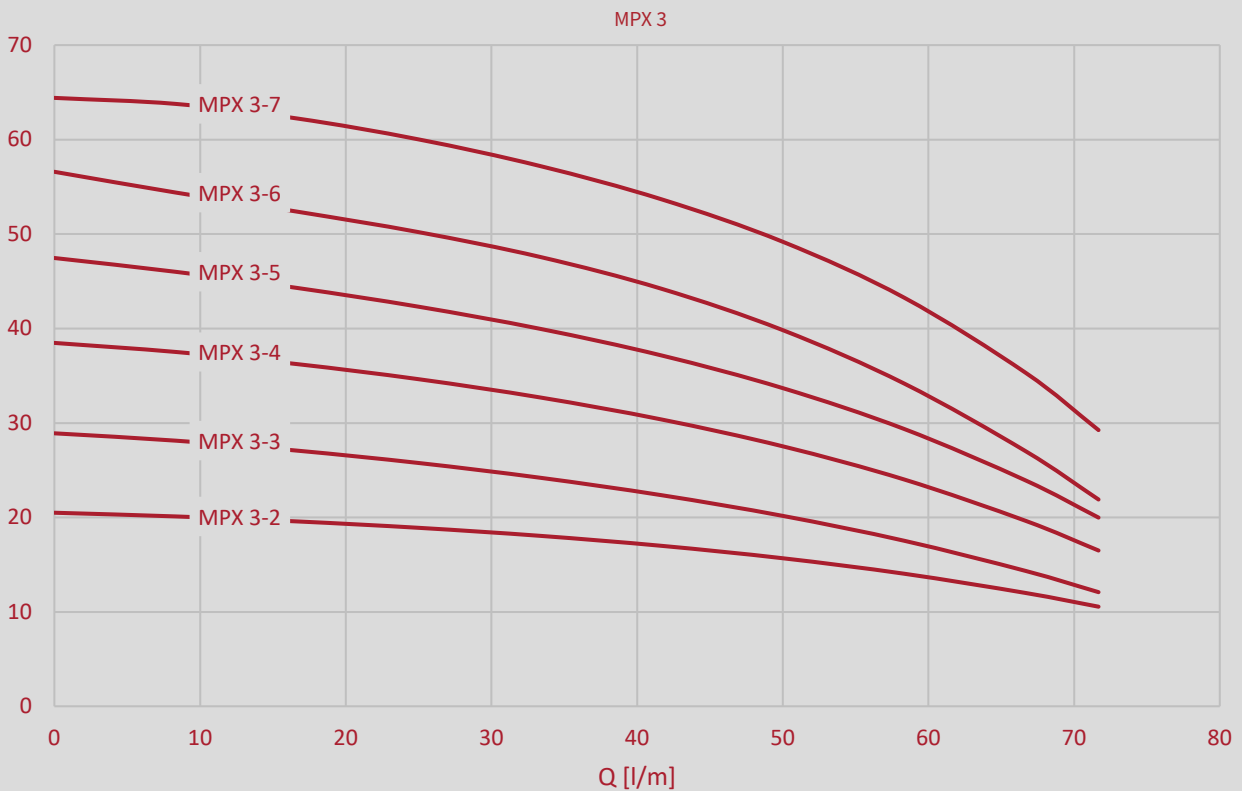
MODEL	POWER (KW)	SUPPLY VOLTAGE	DIMENSIONS (mm)					SUCTION / DISCHARGE	WEIGHT (KG)
			L1	L2	H1	H2	H3		
BMVE (T/Ti) 42-10	4,0	400/3/50	1610	580	220	910	856	3"	148
BMVE (T/Ti) 42-20	7,5	400/3/50	1610	580	220	1031	1067	3"	187
BMVE (T/Ti) 42-30	11,0	400/3/50	1610	580	220	1326	1068	3"	219
BMVE (T/Ti) 42-40	15,0	400/3/50	1610	580	220	1406	1068	3"	233
BMVE (T/Ti) 42-50	18,5	400/3/50	1610	580	220	1536	1068	3"	275
BMVE (T/Ti) 42-60	22,0	400/3/50	1610	580	220	1641	1068	3"	284
BMVE (T/Ti) 42-70	30,0	400/3/50	1610	580	220	1796	1068	3"	463
BMVE (T/Ti) 42-80	30,0	400/3/50	1610	580	220	1876	1068	3"	468

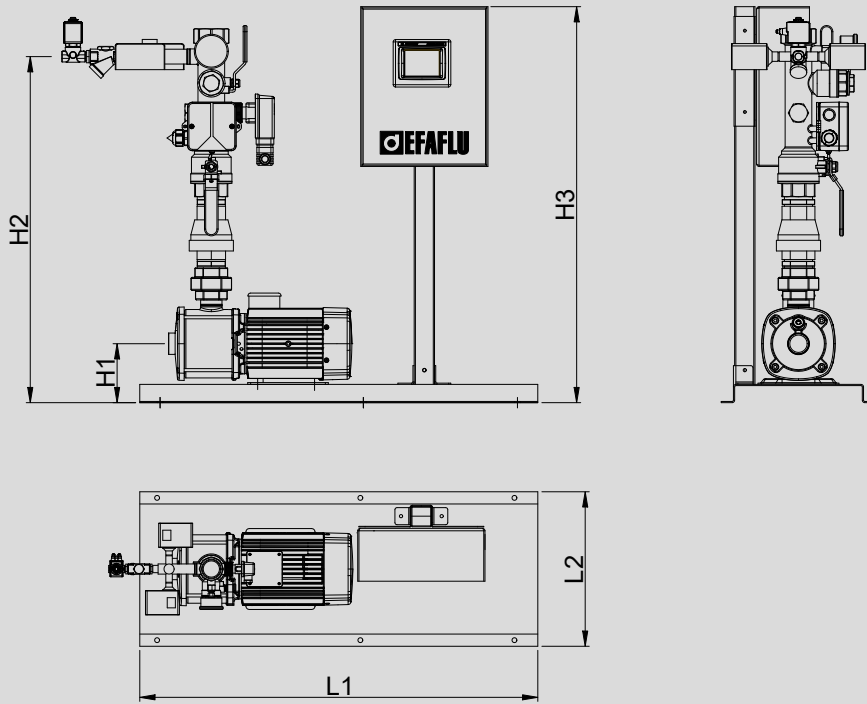
BMVE 42



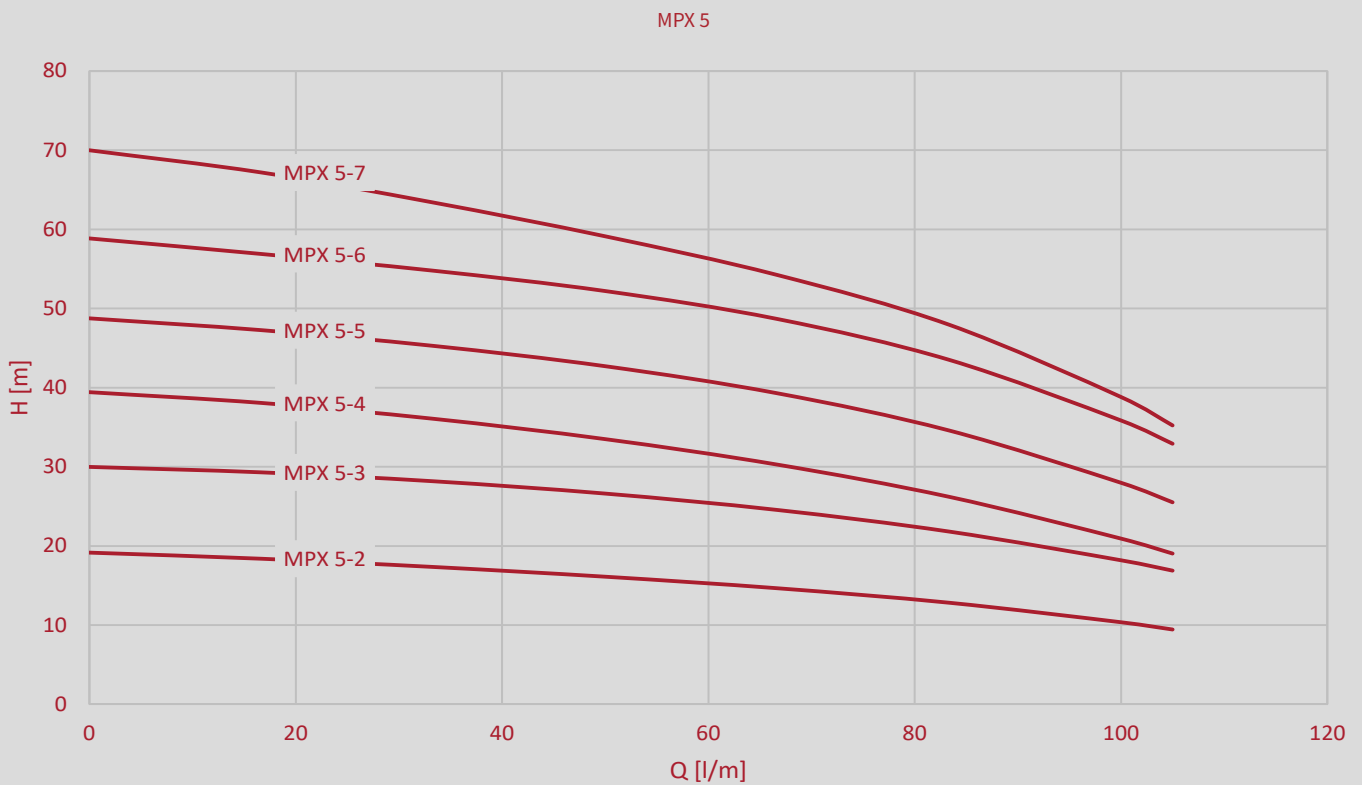


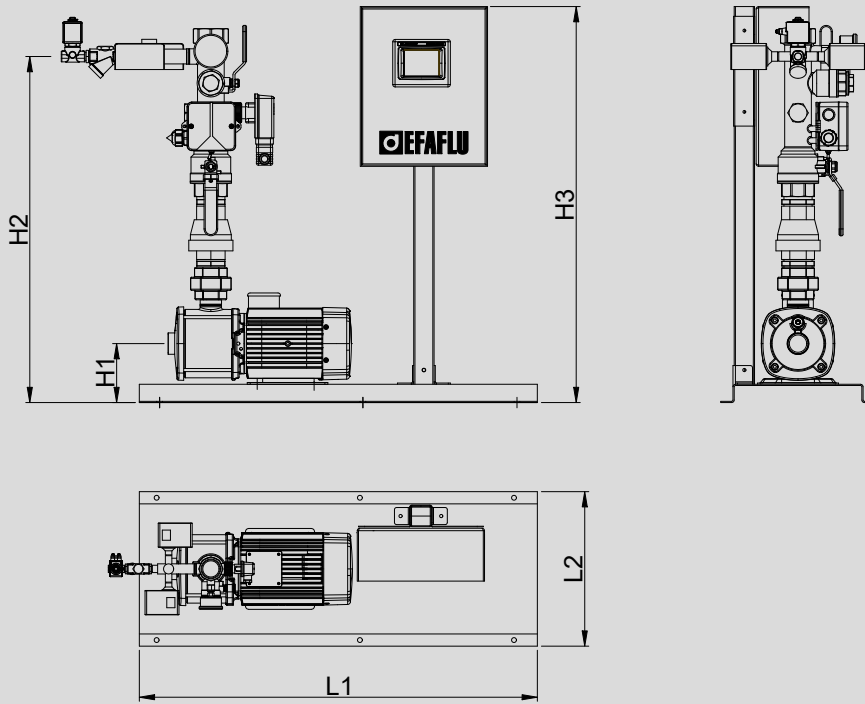
MODEL	POWER (KW)	SUPPLY VOLTAGE (V)		DIMENSIONS (mm)					SUCTION/ DISCHARGE	WEIGHT (KG)
		1~	3~	L1	L2	H1	H2	H3		
MPX 3-2 (T) ¹	0,25	230	230Δ / 400Y	558	325	153	665	780	1"	38
MPX 3-3 (T) ¹	0,37	230	230Δ / 400Y	558	325	153	665	780	1"	38
MPX 3-4 (T) ¹	0,55	230	220Δ / 380Y	558	325	153	665	780	1"	38
MPX 3-5 (T) ¹	0,55	230	230Δ / 400Y	558	325	153	665	780	1"	39
MPX 3-6 (T) ¹	0,75	230	230Δ / 400Y	561	325	153	665	780	1"	41
MPX 3-7 (T) ¹	1,0	230	230Δ / 400Y	585	325	153	665	780	1"	41





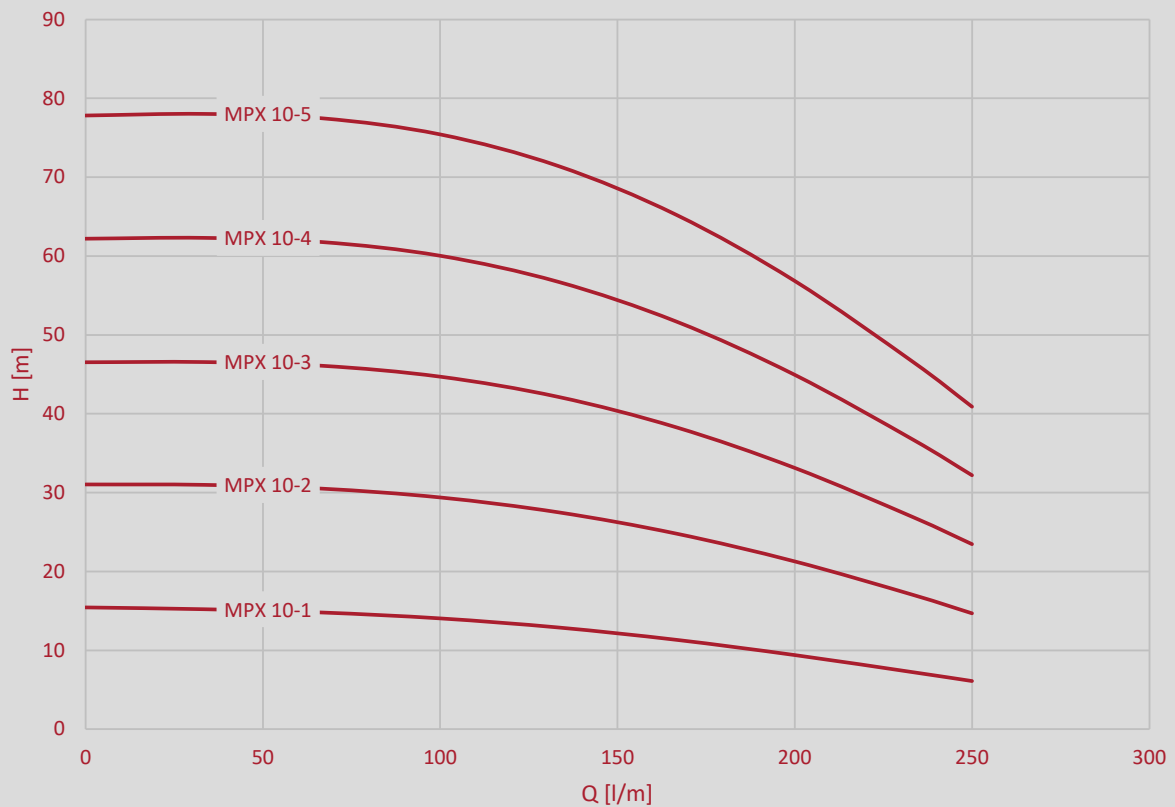
MODEL	POWER (KW)	SUPPLY VOLTAGE (V)		DIMENSIONS (mm)					SUCTION / DISCHARGE	WEIGHT (KG)
		1~	3~	L1	L2	H1	H2	H3		
MPX 5-2 (T) ¹	0,37	230	230Δ / 400Y	558	325	153	665	780	1" ¼	38
MPX 5-3 (T) ¹	0,55	230	230Δ / 400Y	558	325	153	665	780	1" ¼	38
MPX 5-4 (T) ¹	0,75	230	230Δ / 400Y	558	325	153	665	780	1" ¼	40
MPX 5-5 (T) ¹	1,0	230	230Δ / 400Y	558	325	153	665	780	1" ¼	40
MPX 5-6 (T) ¹	1,3	230	230Δ / 400Y	561	325	153	665	780	1" ¼	44
MPX 5-7 (T) ¹	1,5	230	230Δ / 400Y	721	325	153	665	780	1" ¼	47

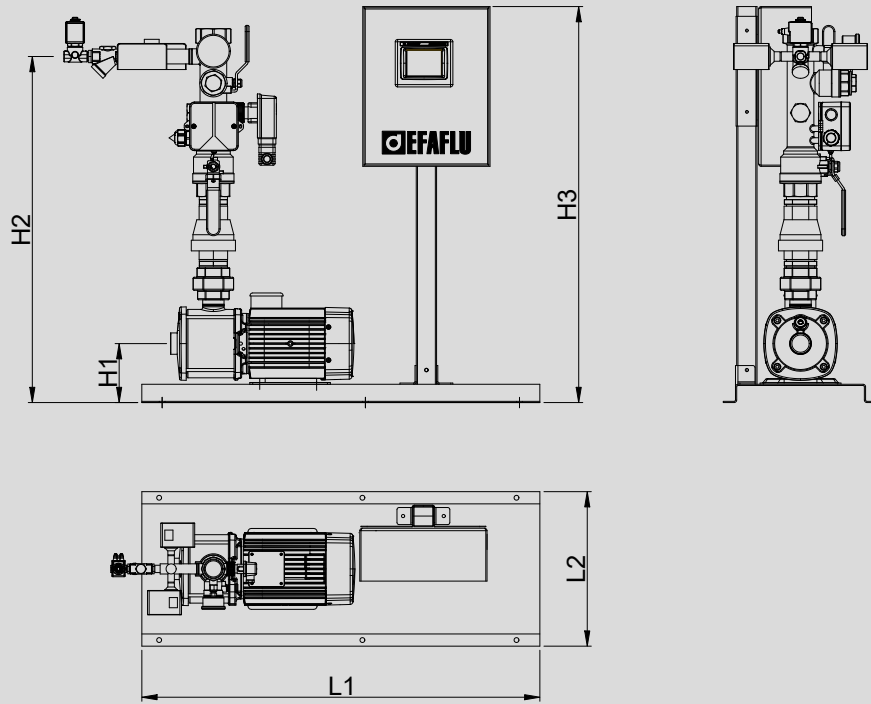




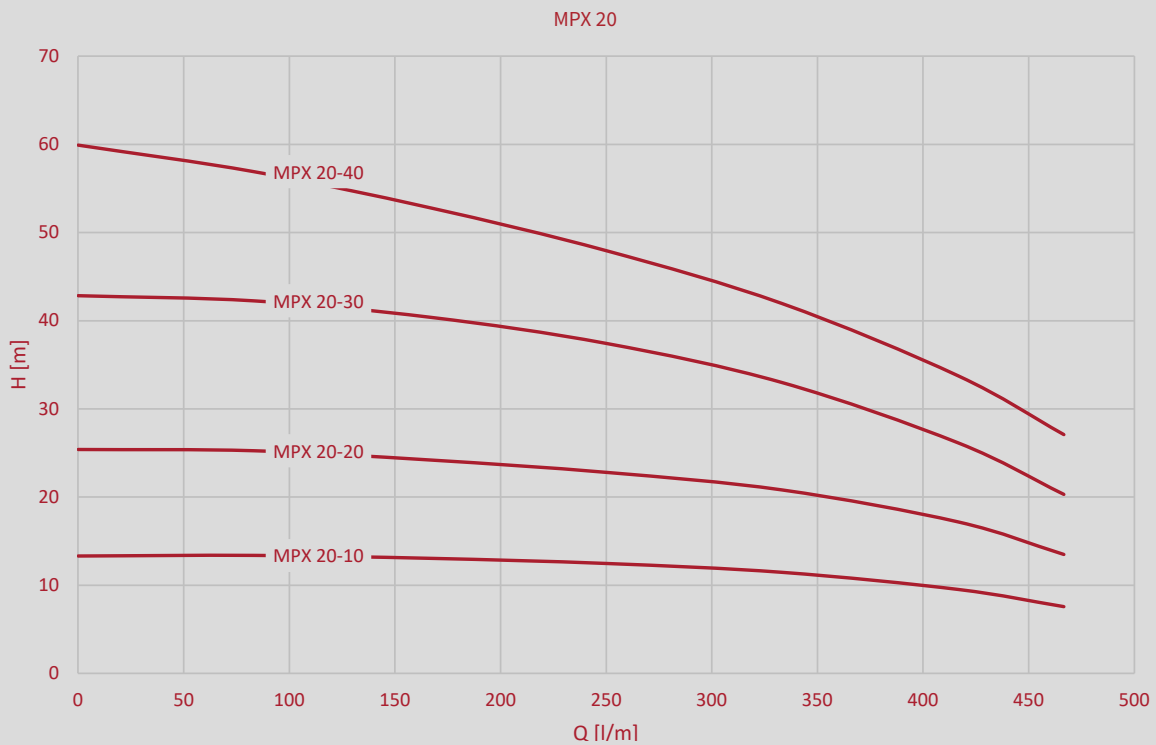
MODEL	POWER (KW)	SUPPLY VOLTAGE (V)		DIMENSIONS (mm)					SUCTION / DISCHARGE	WEIGHT (KG)
		1~	3~	L1	L2	H1	H2	H3		
MPX 10-1 (T)	0,65	230	230Δ / 400Y	558	325	153	665	780	1" ½	40
MPX 10-2 (T)	1,2	230	230Δ / 400Y	558	325	153	678	789	1" ½	45
MPX 10-3 (T)	2,2	230	230Δ / 400Y	594	325	153	678	789	1" ½	52
MPX 10-4 T	3,0	-	230Δ / 400Y	721	325	153	678	789	1" ½	67
MPX 10-5 T	3,0	-	230Δ / 400Y	724	325	153	678	789	1" ½	68

MPX 10



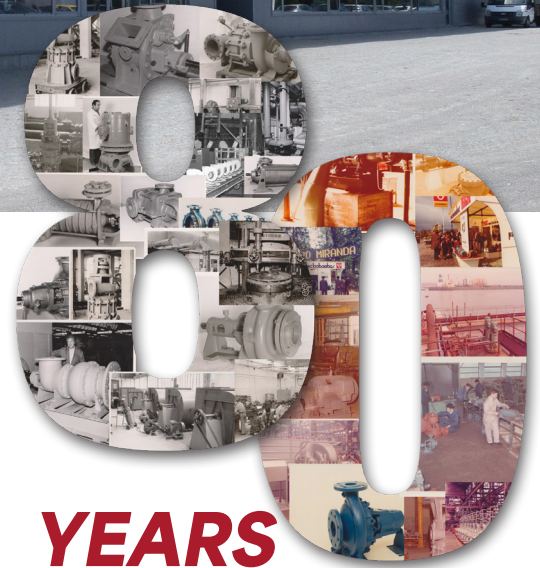


MODEL	POWER (KW)	SUPPLY VOLTAGE (V)		DIMENSIONS (mm)					SUCTION / DISCHARGE	WEIGHT (KG)
		1~	3~	L1	L2	H1	H2	H3		
MPX 20-10 (T)	1,0	230	230Δ / 400Y	639	325	163	704	820	2"	55
MPX 20-20 (T)	1,85	230	230Δ / 400Y	639	325	163	704	820	2"	71
MPX 20-30 T	3,0	-	230Δ / 400Y	721	325	163	704	820	2"	79
MPX 20-40 T	4,0	-	230Δ / 400Y	721	325	175	717	833	2"	88





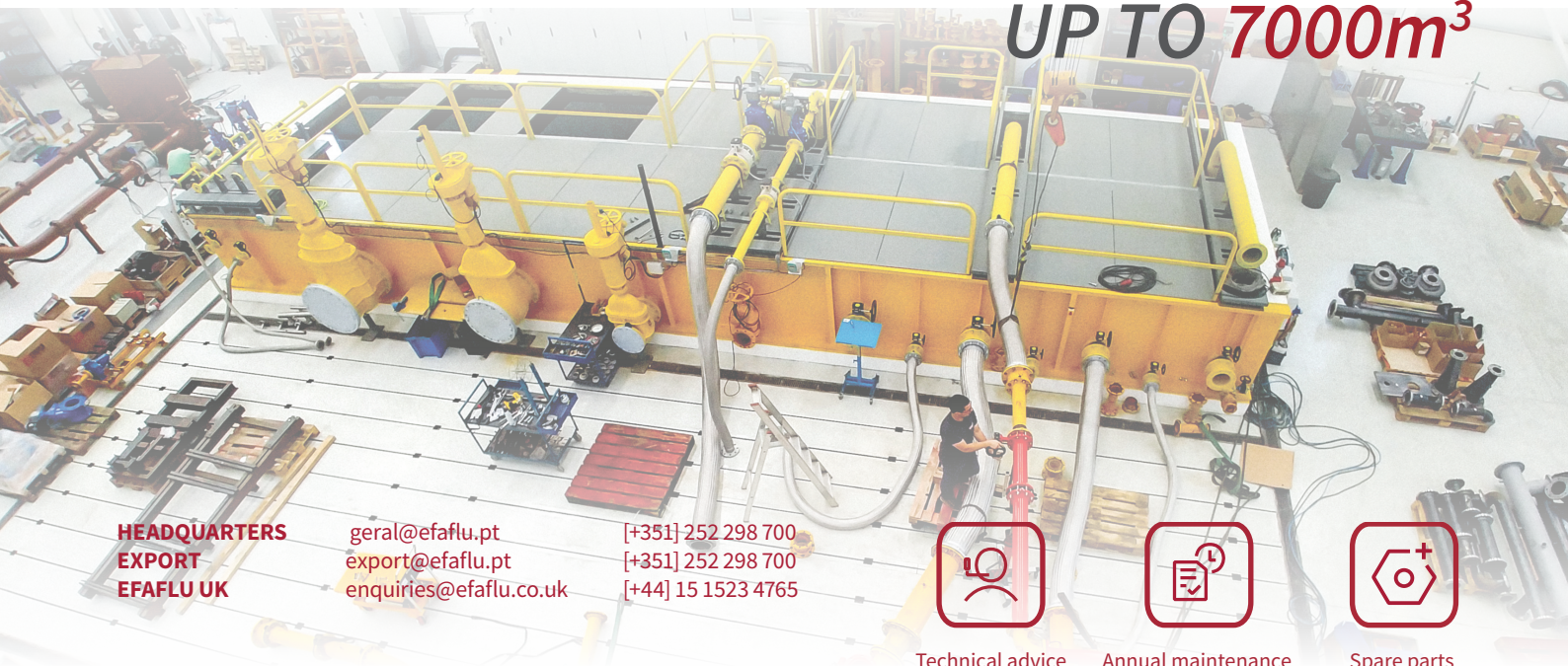
EFAFLU has been operating in the Booster Sets market for over 40 years. To strengthen our commitment and connection with the United Kingdom, we opened a headquarters in Liverpool in 2011. This strategy was more than just an expansion it was a reaffirmation of our commitment to be closer to our customers and partners, providing a more personalised and effective service to meet their needs.



YEARS

THE LARGEST HYDRAULIC LABORATORY IN PORTUGAL

UP TO 7000m³



HEADQUARTERS
EXPORT
EFAFLU UK

geral@efafllu.pt
export@efafllu.pt
enquiries@efafllu.co.uk

[+351] 252 298 700
[+351] 252 298 700
[+44] 15 1523 4765



Technical advice



Annual maintenance contracts



Spare parts available