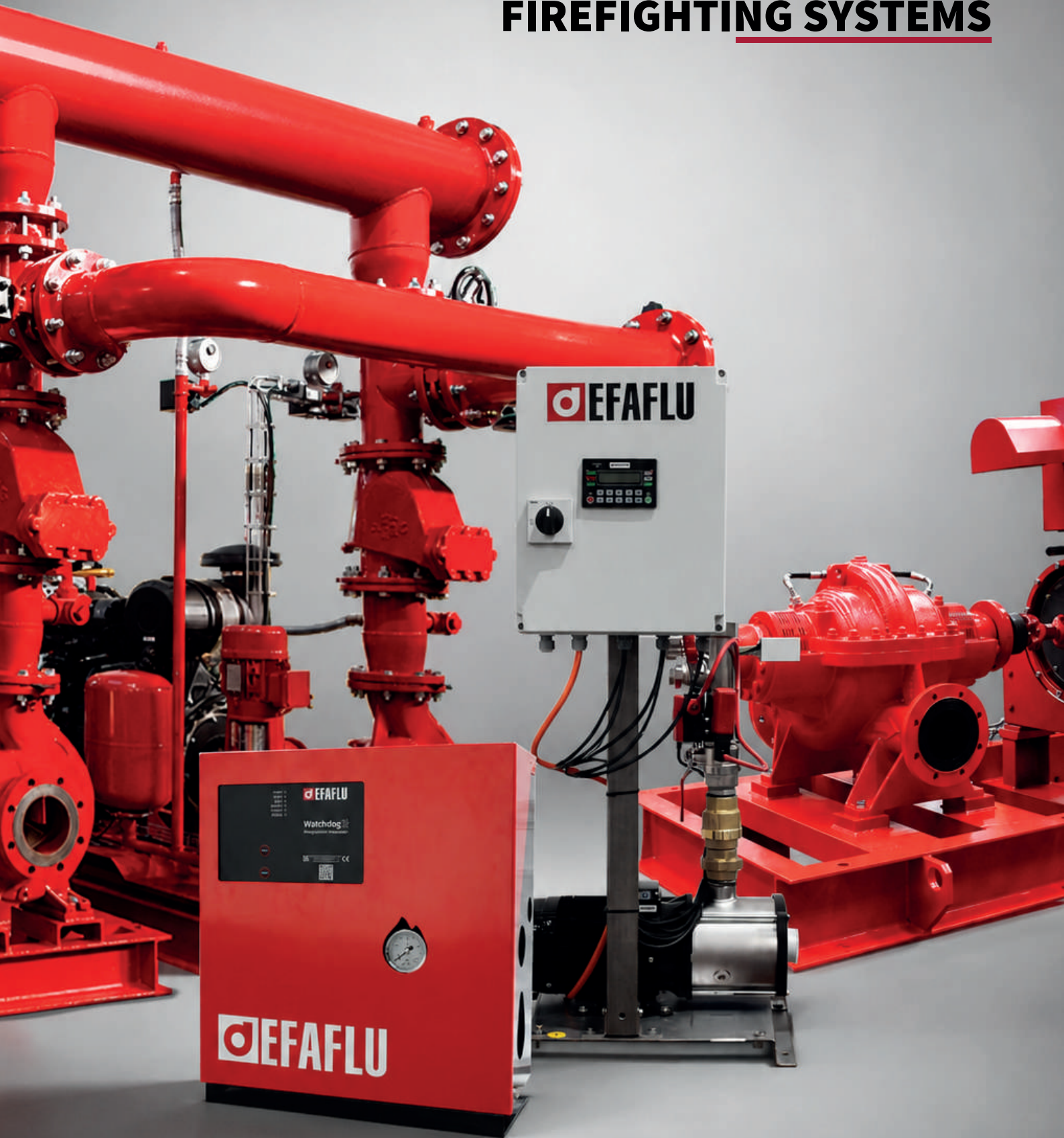


Made in Portugal



FIREFIGHTING SYSTEMS



EN12845



UNE 23500



BS 9251:2021

FIREFIGHTING SYSTEMS play a crucial role in fire protection by delivering a fast and effective water-based fire suppression response. Fire protection systems form a vital line of defence, helping to prevent the spread of fire and avoid potentially irreparable damage. These systems are designed and manufactured in compliance with applicable standards, as well as the client's specific requirements and project specifications. All our units are fully customised to meet these requirements, ensuring the highest levels of reliability and performance.

STOPFIRE EN12845



These systems are designed in accordance with EN 12845. The system must be sized to ensure the automatic supply of the required flow rate and pressure to the fire protection network.

STOPFIRE UNE23500

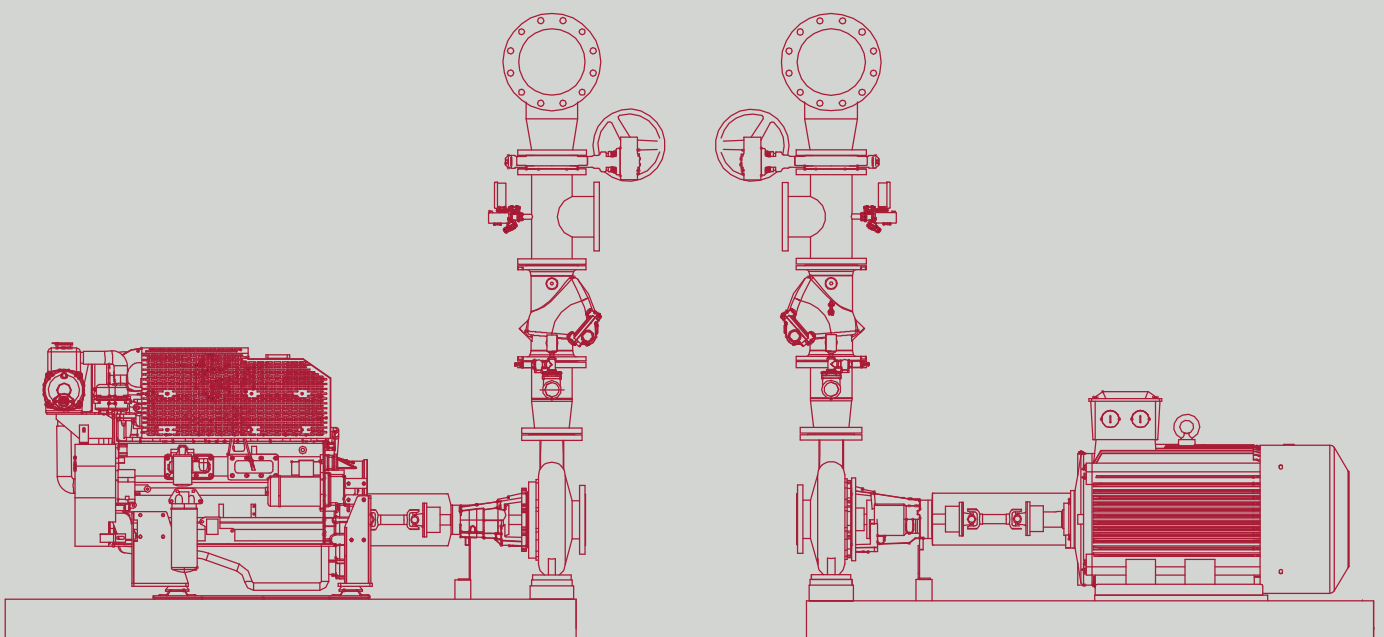


The firefighting systems are designed in accordance with the Spanish technical standard UNE 23500.

STOPFIRE APSA



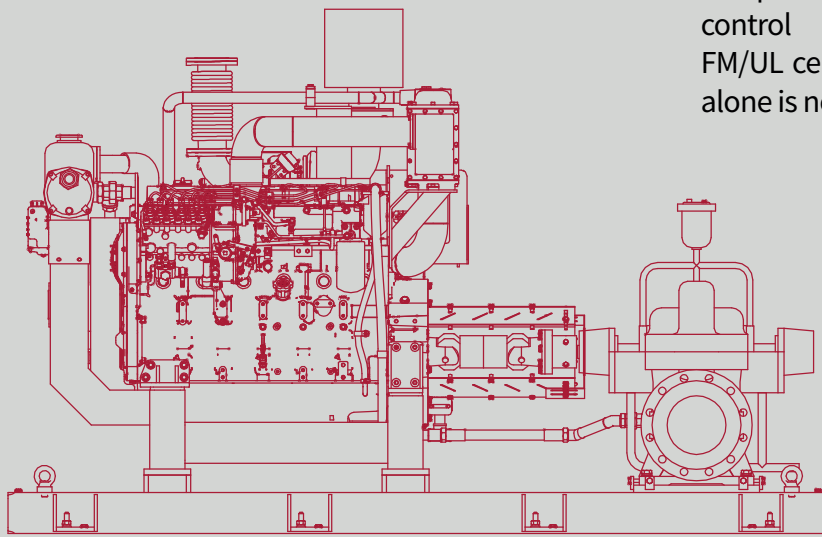
These systems are designed in accordance with the French APSAD standard, approved by the CNPP and bearing pump certificate number 93.24.221.



STOPFIRE



The firefighting systems are designed in accordance with the American standard NFPA 20 and do not hold FM (Factory Mutual) and/or UL (Underwriters Laboratories) approval.

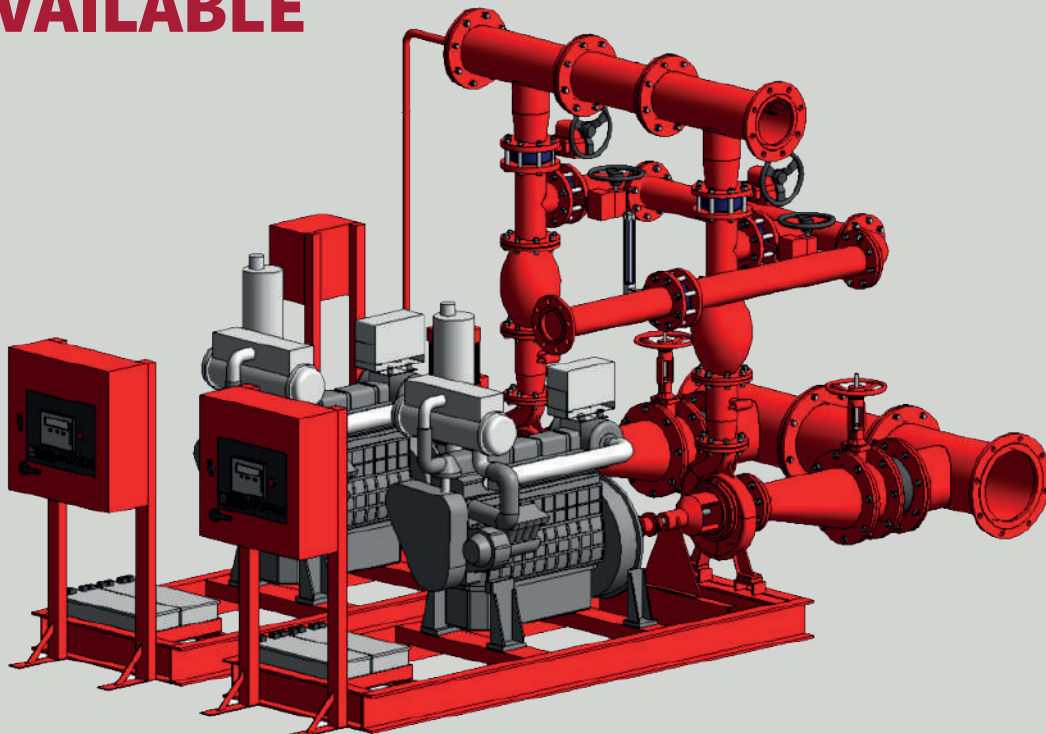


STOPFIRE



These systems are FM (Factory Mutual) and/or UL (Underwriters Laboratories) approved. Full compliance is required across all components — including pumps, control panels and motors; FM/UL certification of the pump alone is not sufficient.

BIM-AVAILABLE

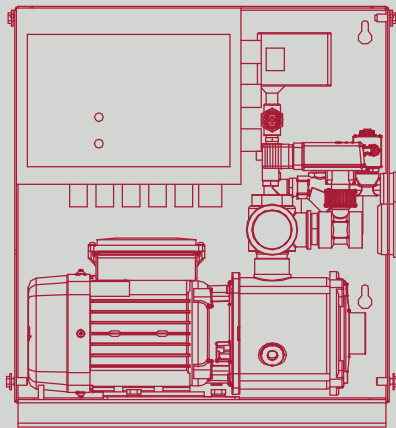


STOPFIRE DOMESTIC



BS 9251:2021

STOPFIRE Domestic CAT.1, the ideal solution for your home's fire safety. Designed for compactness and ease of installation, this firefighting booster set delivers reliable protection while ensuring full compliance with the BS 9251:2021 standard.

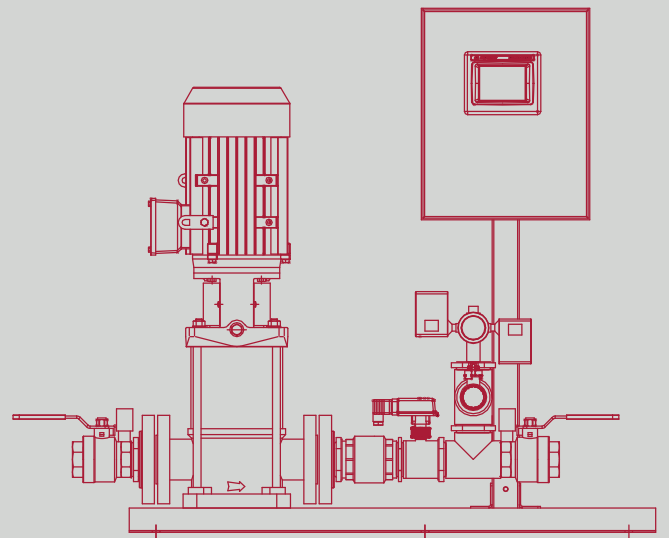


STOPFIRE RESIDENTIAL



BS 9251:2021

STOPFIRE Residential CAT.2-4, tailored for residential fire protection, is an ideal configuration for installations with height constraints, ensuring optimal performance and reliability without compromise. Developed in full accordance with the BS 9251:2021 standard.



KEY ADVANTAGES

Reliability



Efficient response



Protection of lives



Protection of assets



International standards options



Tailor-Made



Product Selection Online

With EFAFLU's online selector, you can:







- Select the most suitable equipment for your projects.
- Download the technical sheets with the performance, materials and dimensions of the selected pump.
- View BIM objects of EFAFLU's Firefighting Systems.



TO KNOW MORE



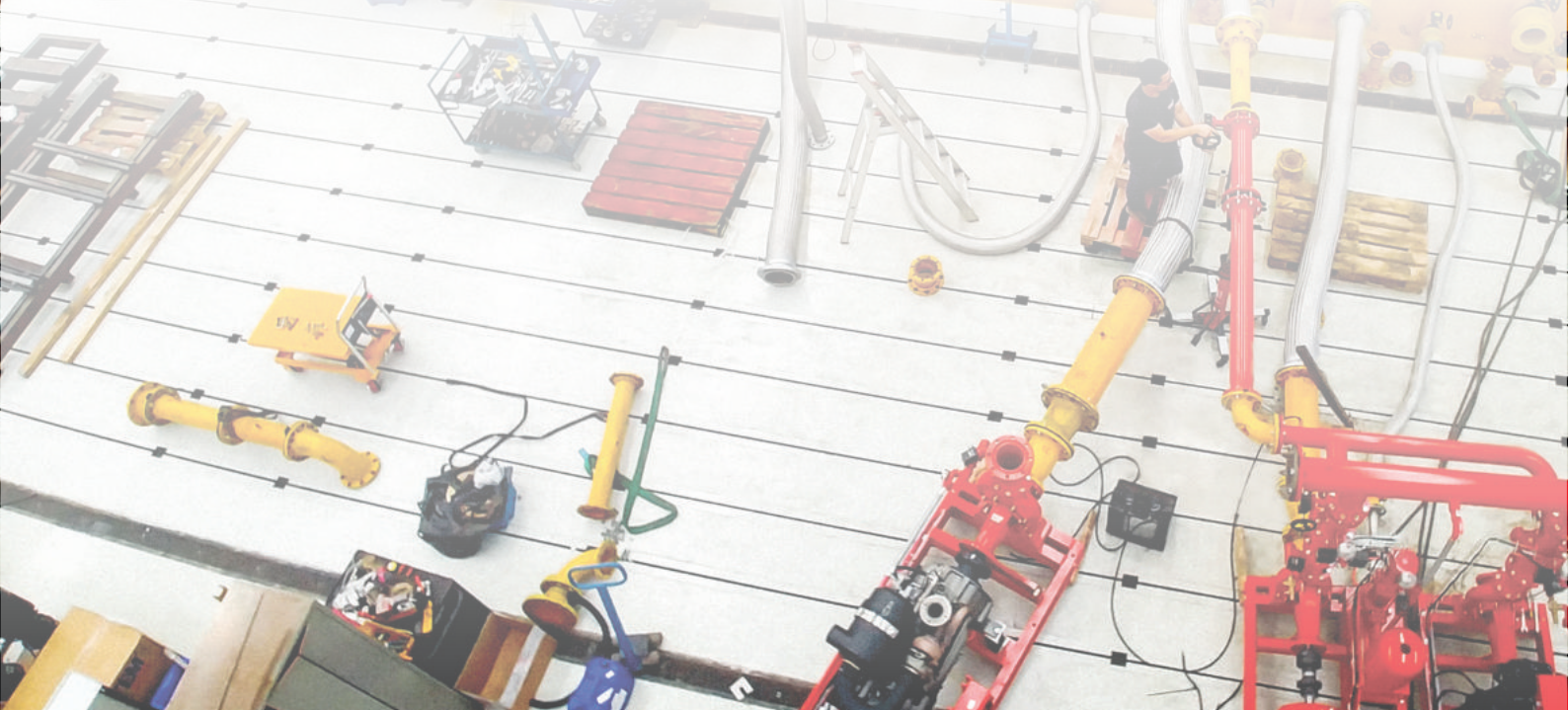
SAV TECHNICAL SUPPORT SERVICE

-  Technical Assistance
-  Energy Efficiency
-  Maintenance Contracts
-  Repairs and Maintenance
-  Spare Parts
-  Multi-brand Services





**THE LARGEST HYDRAULIC
LABORATORY IN PORTUGAL
UP TO 7000 m³/h, DN500**



EFAFLU is a fully portuguese company with 80 years of expertise, entirely dedicated to the development, manufacturing, sales, technical support and after-sales services of pumps, pumping systems, transformer oil cooling solutions, fans and generators. Celebrating 80 years means honouring the past with pride and embracing the future with determination. We remain committed to innovation, energy efficiency and sustainability — ready to face the challenges of an increasingly demanding and global market. EFAFLU – 80 years of trust, innovation and excellence.



**Years
Manufacturing
in Portugal**

